

VI snippet

用圖片拖拉的方式保存轉移

Labview code

官方說明：

<http://www.ni.com/tutorial/9330/en/>

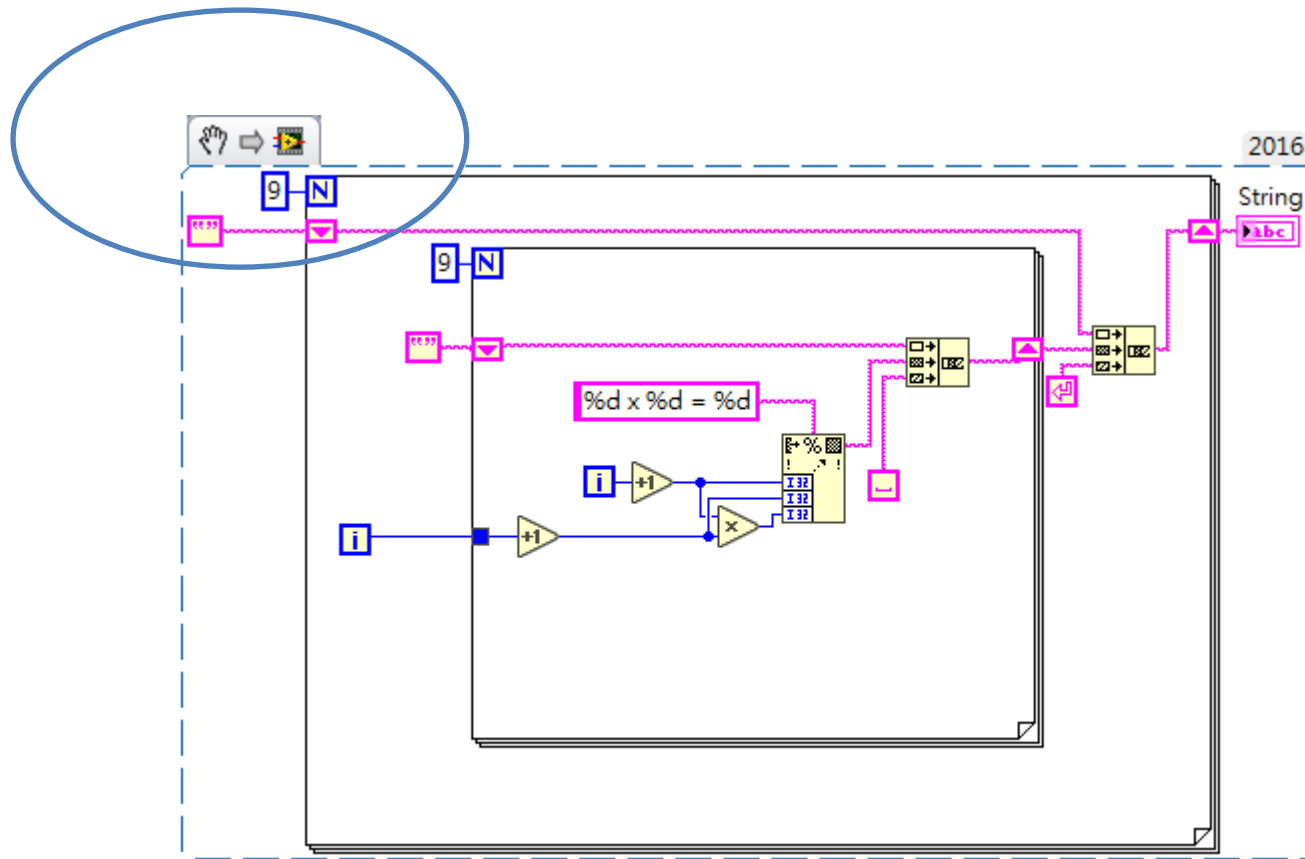
使用時機：

程式碼沒有包含其他 sub VI 的時候

在 block diagram 將需要保存的程式碼部份框選, 從功能選單
Edit -> Create VI snippet from Selection

可以輸出一張特別的 png 檔，外表看似普通的 labview 程式碼圖, 本質上卻是包含 VI 程式碼的特殊檔案. 可以透過 png 格式快速散布 (msg 軟體, Web), 需要的時候直接把圖檔『拉』到 block diagram 便能得到對應的 VI 程式碼區塊

在網路上看到程式截圖有這個圖案
跟虛線外框多半代表這是特製的 VI snippet



選取需要的程式碼匯出 VI snippet

Untitled 1.vi Block Diagram *

File Edit View Project Operate Tools Window Help

Font [Font] [Zoom In] [Zoom Out] [Refresh] [Help]

Undo Move	Ctrl+Z
Redo	Ctrl+Shift+Z
Cut	Ctrl+X
Copy	Ctrl+C
Paste	Ctrl+V
Delete	
Select All	Ctrl+A
Make Current Values Default	
Reinitialize Values to Default	
Customize Control...	
Import Picture to Clipboard...	
Set Tabbing Order...	
Remove Broken Wires from Selection	Ctrl+B
Clean Up Selection	Ctrl+U
Remove Breakpoints from Hierarchy	
Create VI Snippet from Selection	
Create SubVI	
Enable Diagram Grid Alignment	Ctrl+#
Align Items	Ctrl+Shift+A
Distribute Items	Ctrl+D
VI Revision History...	Ctrl+Y

The screenshot shows a LabVIEW block diagram with a context menu open. The menu is over a selected section of the diagram. The diagram shows a loop with an indicator 'i', an incrementer '+1', a multiplier 'x', and a string format '%d x %d = %d'. A 'String' control is connected to the output of the multiplier. The context menu is open, and 'Create VI Snippet from Selection' is highlighted.

Tips and Tricks for using VI Snippet

- 1. Keep Frequently Used Code (or Other Block Diagram Elements) in Snippet Form**
- 2. Use VI Snippets When Asking for Help or Helping Others**
- 3. Be Mindful of SubVIs**
- 4. Use Your Computer Desktop as an Intermediary If You are Dragging from Firefox or Google Chrome**
- 5. Image Editors Will Remove Embedded VI Data**

VI snippet 是特殊的 png file, 從檔案大小可以看出比正常的截圖大上不少 (包含程式碼)

The image shows a Windows File Explorer window with a list of files and a LabVIEW VI snippet. The file list is as follows:

名稱	修改日期	類型	大小
test	2019/5/1...	檔案資料夾	
99multiplex	2019/5/1...	PNG 影像	26 KB
99multiplex_copy2painter	2019/5/1...	PNG 影像	12 KB
123.csv	2019/5/7 ...	文字文件	1 KB
caseSnippet	2019/5/1...	PNG 影像	55 KB
Super_While_Loop	2019/5/1...	PNG 影像	13 KB
test	2019/5/7 ...	Microsoft ...	2 KB
test2	2019/5/7 ...	LabVIEWL...	8 KB
Untitled 1	2019/5/7 ...	LabVIEWL...	5 KB

The right side of the image shows a LabVIEW VI snippet. The snippet is a rectangular box containing a loop structure. The loop has a counter 'i' and a 'N' terminal. Inside the loop, there is a multiplication operation 'x' and a string formatting block with the format string '%d x %d = %d'. The output of the string formatting block is connected to a 'String' terminal on the right side of the snippet. The snippet is titled '2016' in the top right corner.

取得別人寫好 VI snippet :

1. NI discussion forum

八成 google 結果都會導向這個最大的官方討論區

其中大部分的解答除了以 VI 檔案附件以外都會直接以 VI snippet 的形式張貼在討論串

matrix transpose labview



All

Images

Videos

News

Maps

More

Settings

Tools

About 579,000 results (0.51 seconds)

Including results for matrix **transpose** labview

Search only for **matrix transpose labview**

[Transpose Matrix Function - LabVIEW 2016 Help - National Instruments](https://zone.ni.com/reference/en-XX/help/371361N-01/glang/transpose_matrix_function/)

zone.ni.com/reference/en-XX/help/371361N-01/glang/transpose_matrix_function/ ▼

The conjugate **transpose** of **matrix** rearranges the elements so that the element at index (i, j) in **matrix** becomes the conjugate of the element at (j, i) in transposed ...

[How to transpose 1D array - NI Community - National Instruments](https://forums.ni.com/t5/LabVIEW/How-to-transpose-1D-array/td-p/1657368)

<https://forums.ni.com/t5/LabVIEW/How-to-transpose-1D-array/td-p/1657368> ▼

Aug 3, 2011 - 9 posts

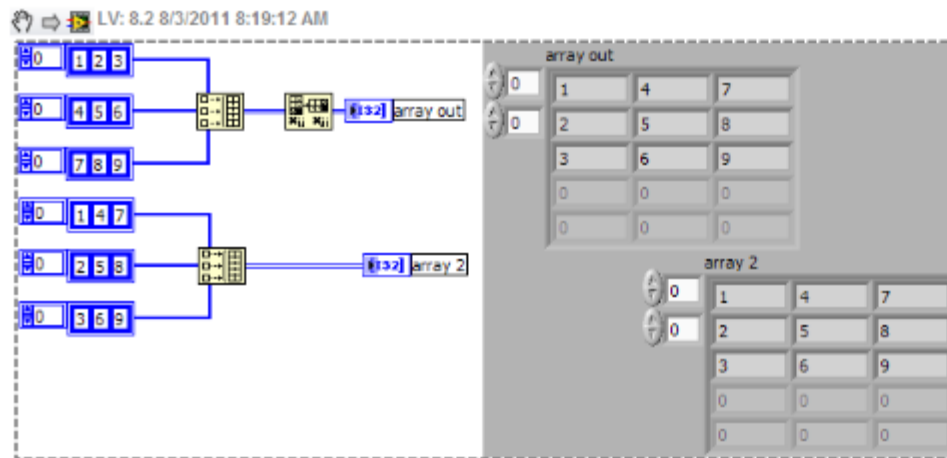
Transposing a 1D array is meaningless, since **transpose** works on 2D ... To learn more about **LabVIEW** it is recommended that you go How can I **transpose** a vector (1D array) so that I can

Re: How to transpose 1D array

smercurio_fc KNIGHT OF NI

08-03-2011 08:19 AM - E

Transposing a 1D array is meaningless, since transpose works on 2D arrays. What have you tried? It's not clear from your picture whether your 1D a what you show. Either way:



This is a pretty basic question. Have you done any of the LabVIEW tutorials? To learn more about LabVIEW it is recommended that you go through the other material in the NI Developer Zone's [Learning Center](#) which provides links to other materials and other tutorials. There are also several [Technica online courses](#) for free.

[Example_VI.png, 27 KB](#)

取得別人寫好 VI or VI snippet :

2. LAVA

非官方最大的 labview 討論區

<https://lavag.org/>

The screenshot displays the LAVA forum interface. At the top, there is a green banner with the text "News about the LabVIEW Wiki!". Below this, a list of forum categories is shown. The first category is "Post questions here that don't fall into any other LabVIEW programming category listed below." with 2,000 posts and a post by "wannabecontroller" 28 minutes ago. The second category is "LabVIEW (By Category)" with 55,006 posts and a post by "0_o" 4 hours ago. The third category is "Hardware" with 7,514 posts and a post by "RTL SDR Beta Testers" with the title "Requi...".

On the right side, there is a sidebar with two sections: "NEWEST MEMBERS" and "POPULAR CONTRIBUTORS". The "NEWEST MEMBERS" section shows a member named "andywong" who joined 1 hour ago. The "POPULAR CONTRIBUTORS" section shows a list of contributors: "ericreffett" (1 post), "ShaunR" (1 post), and "Tim_S" (1 post).

Category	Posts	Latest Post
Post questions here that don't fall into any other LabVIEW programming category listed below.	2,000	By wannabecontroller 28 minutes ago
LabVIEW (By Category)	55,006	converting local path to U... By 0_o 4 hours ago
Hardware	7,514	RTL SDR Beta Testers Requi...

NEWEST MEMBERS

Rank	Member	Joined
1	andywong	Joined 1 hc

POPULAR CONTRIBUTORS

Rank	Member	Posts
1	ericreffett	2
2	ShaunR	1
3	Tim_S	1

News about the LabVIEW Wiki!



Members

+ 189

855 posts

Location: Boston, MA

Version: LabVIEW 2016

Since: 1999

[Making the Active boolean to false =79ms \(using Internet Toolkit\);
your command line VI=171ms.](#)

[I just went through a similar issue with using FTP to post test results to an off-site server. I found that Active = Passive\) was indeed much faster from the client for LIST and PUT, but the FTP server admin asked me to use security and port range issues. I included a boolean in my higher level code \(and ultimately my INI file\) to set the conditions of the deployed environment.](#)

[Active FTP vs. Passive FTP, a Definitive Explanation](#)

UPDATE:

Here is an example of what I use. I wanted to be able to test the ability to connect to the FTP server independent so I created a wrapper for the function "FTP Put Multiple Files and Buffers.vi" that parses an RFC-1738 FTP URL

I check for access to the server using the exact same string from IE or FireFox. If it doesn't work from those, that's a firewall or proxy problem.

[Download File: post-949-1218111686.vi \(LV 7.0\)](#)

